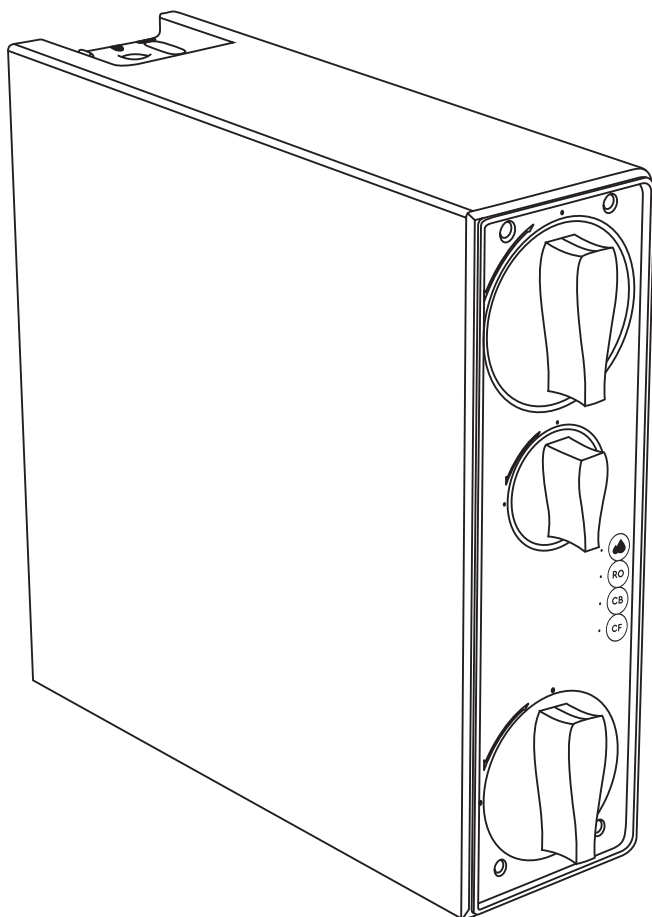


**Installer and user guide for CROSS 90 direct flow
reverse osmosis filter**

**Інструкція з підключення та експлуатації
прямоточного фільтру зворотного осмосу CROSS 90**



CONTENTS

1. Purpose of the product	3
2. Specifications and components	4
2.1 Specifications and requirements	4
2.2 Water quality	5
2.2.1 Supply water quality requirements	5
2.2.2 Water quality after filter	5
2.3 Reverse osmosis filter components	6
2.4 Reverse osmosis filter indicators	7
3. Filter installation	7
3.1 Before commencing installation	7
3.2 Connection diagram	8
3.3 Installation procedure	8
3.4 First time use	13
4. Steps after installation	13
5. Usage	14
5.1 Parts of the filter and their recommended change out rates	14
5.2 The procedure for cartridges replacing	14
5.3 Filter lifetime display	15
5.4 Water quality display	16
5.5 System operation modes	16
5.6 SMART features	17
6. Sanitization of reverse osmosis filter	18
7. Troubleshooting	20
8. Service record	21
9. Environmental and health safety	22
10. Purchasing	22
11. Transportation and storage	23
12. Warranty	23

DEAR CUSTOMER!

Thank you for choosing our products.

We want you and your family to enjoy clean drinking water. With Ecosoft filter you will forget the trouble of using large bottles. Pure spring water for drinking, cooking and making drinks will always be at hand. Please read this instruction manual and check validity of the warranty card before using the system.

EN

1. PURPOSE OF THE PRODUCT

Reverse osmosis is by far the most advanced technology of water purification in use today. Special semipermeable membrane structure similar in its properties to the membrane of a living cell is capable of purifying drinking water from virtually all harmful impurities (**see Figure 1**). The membrane can be conceived of as having tiny pores, 200 times smaller than viruses and 4000 times smaller than bacteria. Domestic water filters with reverse osmosis membranes harness the principle of body's metabolism on a cellular level. Only molecules of certain size can penetrate cellular membrane.

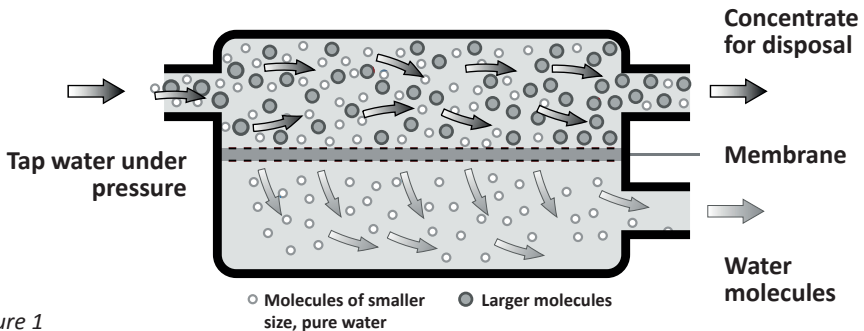


Figure 1

Direct flow reverse osmosis filter CROSS 90 is a four-stage in three steps filtration unit with three cartridges functioning as follows (see section **(2.3)** for reference numbers). Filter rack is connected to cold water supply with feed water adapter **(4)**. White tube (3/8") carries water from feed valve through low pressure switch and inlet solenoid valve to the CF filter cartridge. Incoming water then passes through pre-filter cartridge **(7)**. Pre-filter cartridge is a complex cartridge with **(2)** stages inside. It is designed to remove solids (such as rust, sand, silt, etc), residual chlorine, and organochlorines from water. After undergoing pre-treatment steps in the pre-filter, water enters into the third (and the most important) stage: reverse osmosis membrane **(7)** contained in a cartridge RO. One of the two outlets supplies purified water (permeate), and the other carries away water with rejected impurities (concentrate). The membrane purifies water at the molecular level by passing through its pores only the water molecules and the molecules of dissolved oxygen.

1. PURPOSE OF THE PRODUCT

Inside the membrane, water is separated into two streams: concentrate, which is discharged into drain, and permeate, which enters next step – post-filter **(7)**.

After opening the purified water valve **(3)**, the pressure in the system drops and the high pressure switch is activated, opening the inlet valve and starting the pump, automatically resuming the flow of water through the pretreatment cartridge to the membrane. After opening the purified water valve **(3)**, the pressure in the system drops and the high pressure switch is activated, opening the inlet valve and starting the pump, automatically resuming the flow of water through the pretreatment cartridge to the membrane. The purified water after the membrane enters the fourth stage of purification — the CB carbon post-filter, designed for final water purification. The purified water after the membrane enters the fourth stage of purification — the CB carbon post-filter, designed for final water purification. It contains extruded activated carbon. This filter improves the taste and smell of the purified water. This filter is direct-flow, so no water storage tank is required. With a capacity of **600 GPD (90 l/h)**, it takes only 8 seconds to fill a 200 ml glass.

2. SPECIFICATIONS AND COMPONENTS

2.1 SPECIFICATIONS AND REQUIREMENTS

No	Parameter	Value
1	Main pressure, bar	2-5*
2	Feed water temperature, °C	+5...+30**
3	Flow capacity, l/min	1,5
4	Electrical rating	230 V, 50 Hz
5	Weight of the system, kg	11
6	Ambient temperature, °C	+5...+40
7	Water supply connection	½" thread
8	Filter dimensions, H × W × D, mm	435 x 140 x 458

* If supply water pressure is below required value, purchase pumped model or fit your existing filter with booster pump. If the pressure in the water system is above the limit, it is necessary to install a pressure regulator on the main pipe. If pressure in tank bladder is outside this range, it is necessary to pump up or release the pressure until it conforms to the requirement.

** If supply water temperature is up in the range of +20...+30 °C, rejection of impurities will be decreased and system capacity increased, bringing about an increase in TDS. Using the product with supply water temperature in excess of +30 °C is not recommended.

2. SPECIFICATIONS AND COMPONENTS

2.2 WATER QUALITY

2.2.1 SUPPLY WATER QUALITY REQUIREMENTS*

No	Index	Value**
1	pH	6.5-8.5
2	TDS	<1500 ppm
3	Hardness	<500 ppm CaCO ₃ (<28 °dH)
4	Free chlorine	<0.5 ppm
5	Iron	<0.3 ppm

No	Index	Value**
6	Manganese	<0.1 ppm
7	Chemical oxygen demand	<5 ppm O ₂
8	Total bacterial count (TBC)	<50 CFU/mL
9	E. coli titer	<3

Do not use with water that is microbiologically unsafe or of unknown quality without adequate disinfection before or after the system.

* If water supply does not meet the requirements, service life of membrane and/or pre-filter cartridges may be shortened.

** If your home is supplied with raw well water, perform laboratory test of your water before installing a reverse osmosis filter. If any of your water indices exceed the limit, consider using a water treatment system to correct supply water quality. Refer to water treatment specialists or companies for advice and proper equipment selection.

2.2.2 WATER QUALITY AFTER FILTER*

No	Index	Value
1	pH	5.5-6.5
2	TDS	5-15 ppm
3	Calcium	<2 ppm
4	Magnesium	<1 ppm
5	Sodium + Potassium	<5 ppm

* Values are determined under the following conditions: temperature of supply water is 25 °C, supply water quality and operation conditions correspond to manufacturer's requirements.

2. SPECIFICATIONS AND COMPONENTS

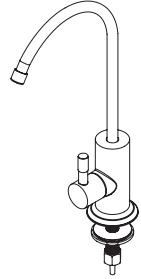
2.3 REVERSE OSMOSIS FILTER COMPONENTS



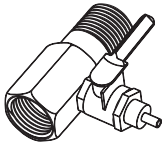
1) Filter rack



2) Power adaptor



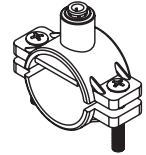
3) Drinking water faucet



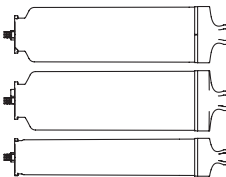
4) Feed water adapter with valve



5) Set of colored tubes



6) Drain saddle



7) Set of cartridges

CF - CPVDFRO

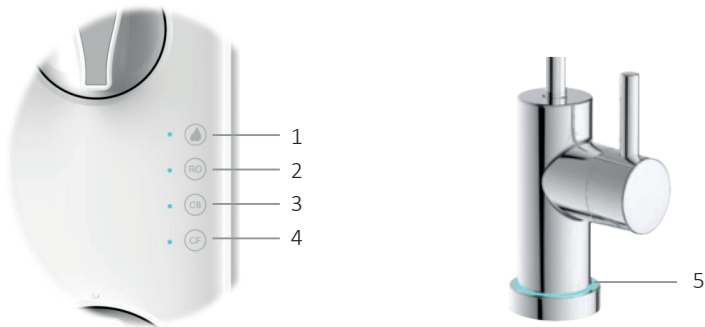
RO - CSVRO600DFRO

CB - CHVCBDFRO

The manufacturer reserves the right to modify product design or specific components if such modification does not entail deterioration of consumer properties of the product.

2. SPECIFICATIONS AND COMPONENTS

2.4 REVERSE OSMOSIS FILTER INDICATORS



- 1 – System performance indicator - making water indication, water quality indication, faults indication, flushing indication
- 2 – RO replacement filter lifetime indicator
- 3 – CB replacement filter lifetime indicator
- 4 – CF replacement filter lifetime indicator
- 5 – Faucet indicator- making water indication, faults indication, replacement indication, flushing indication

3. FILTER INSTALLATION

Before installing a domestic reverse osmosis filter please carefully read this instruction. This system must be installed in compliance with local codes. For correct installation of the system, request one of the Ecosoft Authorised Service Centres. The manufacturer is not responsible if the system was installed by an unqualified specialist

3.1 BEFORE COMMENCING INSTALLATION

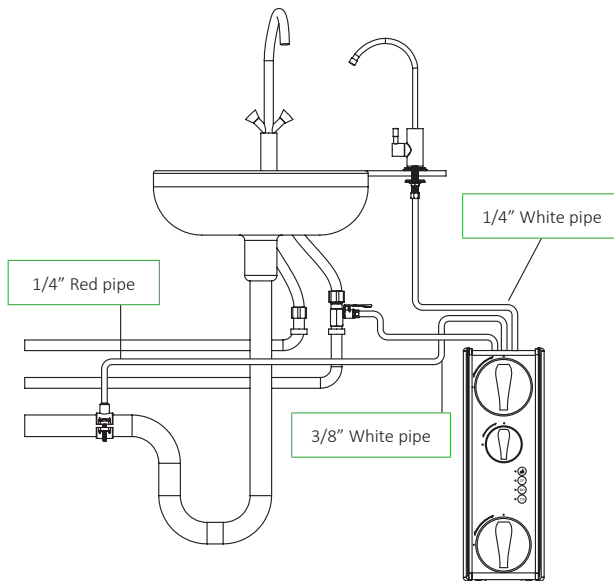
- 1) Check that all parts are in the package. Do not open the plastic bags with filter parts before you make sure everything is in place to be able to return faulty/incomplete package.
- 2) Check conformity of your local variables to requirements specifications:

Main pressure*	Supply water temperature*
Check water pressure at mains before installing the product. Compare to the requirements in paragraph (2.1).	Check temperature of supply water. Compare to the requirements in paragraph (2.1).
*Refer to paragraph 2.1 for recommended measures in case any of the above variables does not meet the requirements.	

3. FILTER INSTALLATION

- verify that your product is as specified in **paragraph 2.1**;
 - verify that your supply water quality** meets the requirements in **paragraph 2.2**.
- **If supply water quality does not meet the requirements, it is necessary to consult with a water treatment specialist.**
- 3) Before installing the system, make sure there is enough space for the filter rack under the sink.
 - 4) **Electrical safety notice:** This appliance should be connected into a circuit with an RCB installed. Please note voltage requirements.
 - 5) Install the system per the guidelines of this manual.
 - 6) The unit is to be supplied with single-phase 230 VAC, 50 Hz electrical power.
- The unit is supplied with power cord and can be connected to a properly installed IEC 60884-1 compliant socket. Electrical specification of the unit can be found on manufacturer's factory sticker. That system and installation must comply with state and local laws and regulations.

3.2 CONNECTION DIAGRAM



3.3 INSTALLATION PROCEDURE

Wash your hands thoroughly with anti-bacterial soap before handling tubes, cartridges, and membrane.

This system should desirably be installed in places protected from direct sunlight and away from heating appliances.

3. FILTER INSTALLATION

1. Remove the reverse osmosis system from its packaging and check the equipment.
2. Shut off water supply in your kitchen or whole home and open water tap where you are about to install the system (on your kitchen sink) for 1 minute to relieve pressure in the system, and then close it.
3. Screw the feed water adapter with valve **(4)** into the cold water plumbing. Connections size is selected to fit most common size 1/2 inch pipe. If your pipe is of another size, prepare an appropriate adapter.

Fig. A1

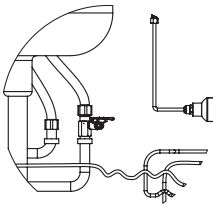


Fig. A2

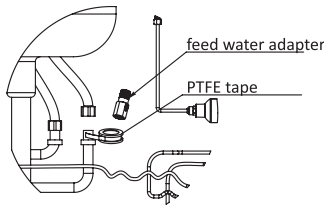
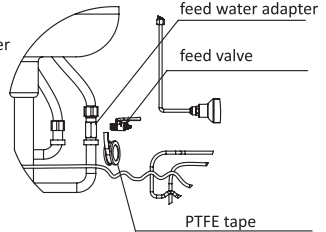
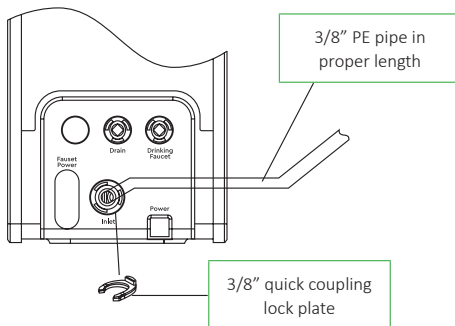


Fig. A3



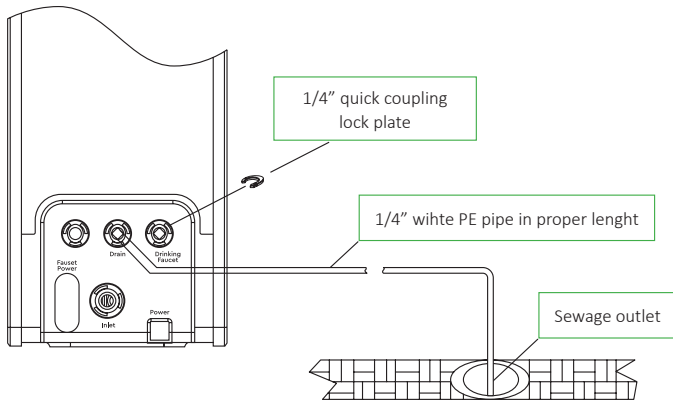
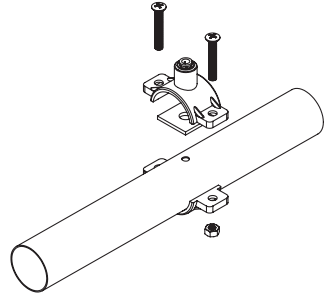
4. Unscrew the compression nut from the feed valve **(4)** and put it on the 3/8" white tube. Push the white tube on the end of feed valve's fitting and screw on the compression nut. Connect the free end of the 3/8" white tube with the quick connect fitting "Inlet" on the connection panel of the rack. Insert the 3/8" quick coupling lock plate between the quick connect and the claw of the water inlet pipe.



3. FILTER INSTALLATION

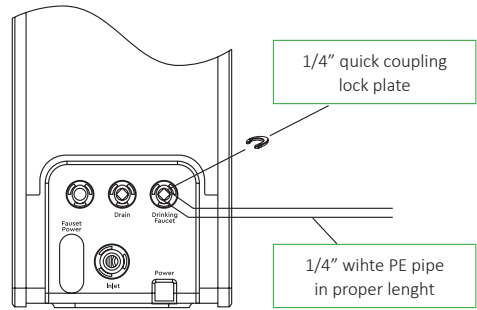
5. Connect the drain saddle (6) with drain pipe from the kitchen sink. The drain saddle is compatible with most standard drain pipes. Drill a hole of 5.0 mm (0.2") diameter in the kitchen sink drain pipe, apply rubber gasket with sticky base (included in the package).

Install the drain saddle (6) on the drain pipe over the hole. Tighten screws on drain saddle with a screwdriver. Insert red tube into the connection on the clamp. Connect the other end of the red tube with concentrate outlet "Waste" on the connection panel of the rack. Insert 1/4" quick coupling lock plate between quick coupling and jack catch of pipe.



CAUTION! If RO systems do not use air gap faucets, it is required that they be plumbed in with a physical air gap between the waste water outlet and the drain. This is so if the drain backs up, sewage will not push up into the RO system.

6. Connect one end of 1/4" white tube to the "Filtered" output on the connection panel of the rack. Insert the 1/4" quick coupling lock plate between the quick connect and the claw of the water inlet pipe.



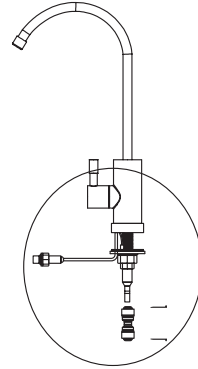
3. FILTER INSTALLATION

7. Installation of the faucet.

7.1. To install drinking water faucet **(3)** drill 15.5 mm (1/2") diameter hole for single way tap in a convenient location at the sink or countertop.

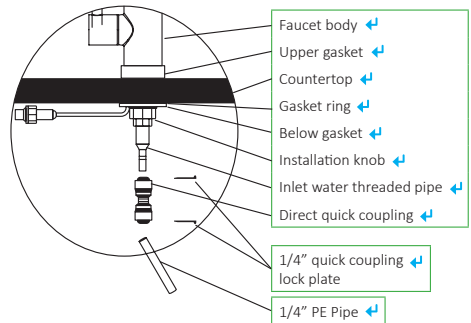
Caution! metal shavings can damage your unit, remove them carefully as soon as you have drilled the hole. If the mounting surface is ceramic or stone, you may need a special carbide drill.

Mount the faucet on the sink or countertop as shown in the figure. Upper gasket, gasket ring, below gasket and installation knob on the faucet shank must fix the faucet firmly on the surface.

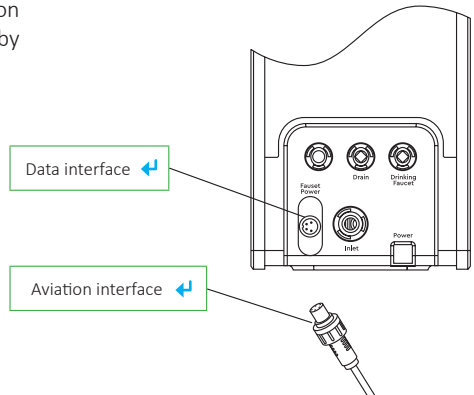


7.2 Push the direct quick coupling as deeply as possible to the bottom of the faucet's inlet water threaded pipe and insert the fixing clip.

7.3 After the faucet is installed, insert the other end of the 1/4" white tube of pure water pipe connected to the rack into the quick connection of the faucet and insert the fixing clip.

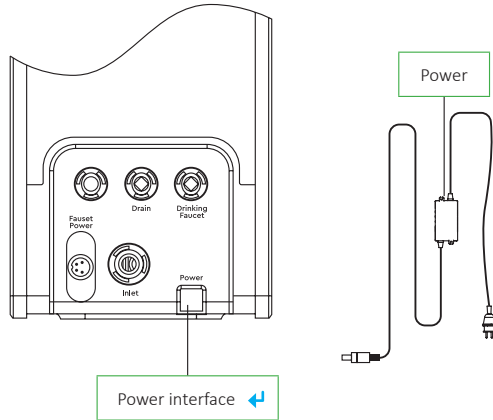


7.4 Take the faucet aviation connector and insert it into the special connector on the connection panel in the required direction, and fix it by screwing it with a plastic ring.



3. FILTER INSTALLATION

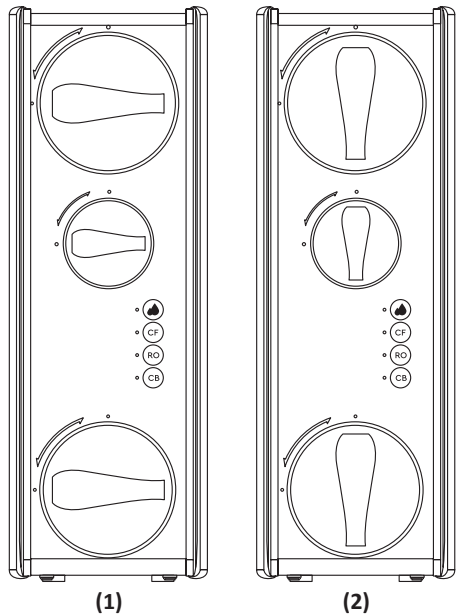
8. Connect the power adapter to the power output on the connection panel of the rack.



Be sure to remove the plastic caps from the inlet and outlet of the filters before installing the filters.

To install the filters, present each filter in its respective housing with the handle in a horizontal position **(1)**:

1. The CF filter cartridge is installed on the first stage CF of main body tank;
 2. The RO filter cartridge is installed on the second stage RO of main body tank;
 3. The CB filter cartridge is installed on the third stage CB of main body tank.
- Insert firmly all the way and turn the handle 90 degrees clockwise. After installation, the filters should be as shown in position **(2)**.



3. FILTER INSTALLATION

3.4. FIRST TIME USE

1. Turn on the feed water valve **(4)**.
2. Connect the machine to the power supply. When the machine is powered on, the buzzer will sound for 0.1 seconds, and the four indicator and the indicator on the purified water faucet will light up in turn (blue-violet-red) for 1 second;
3. The machine will automatically wash for 5 mins. During washing, the filter life indicators **(2-4)** are constantly lit in blue, and the system indicator **(1)** flashes red. The main part of the water is draining.
4. Flush for 30 mins after washing. During flushing, the filters lifetime indicators **(2-4)** lights are always on, and the system indicator **(1)** light flashes blue (or as an indicator **(1)** is also a water quality indicator it flashes according to the present water quality situation), faucet indicator **(5)** is also flashes blue.
5. When washing, be sure to carefully check the tightness of all parts of the product, wipe the connection points with a paper tissue to see if the paper tissue is wet. Check whether the water pipes are installed correctly and completely.
6. When the flushing is complete, turn off the purified water faucet and make sure that the faucet does not leak, then the machine debugging is completed.
7. After washing, the whole machine enters the normal water-making state, and the system indicator **(1)** and faucet indicator **(5)** are always blue during water supply . At this time, if you have no need for water, turn off the faucet.

4. STEPS AFTER INSTALLATION

VERIFICATION OF THE UNIT'S OPERATING PARAMETERS

1. Measure recovery (proportion of supply water that becomes purified). You will need 1 L (1 quart) measuring cup and a stopwatch.
Open faucet **(3)** and measure time that the unit takes to produce 1 L (1 quart) of permeate (purified water), then close faucet **(3)**. Write down the result (t_{Permeate} in the equation below). Disconnect the red tube connected to sink drain from drain saddle. Open faucet **(3)** and measure time that the unit takes to produce 1 L (1 quart) of concentrate (waste water), then close faucet **(3)**.
3. Write down the result ($t_{\text{Concentrate}}$ in the equation below). Calculate recovery using formula:

$$R = \frac{t_{\text{Concentrate}}}{t_{\text{Permeate}} + t_{\text{Concentrate}}} \times 100 \%$$

Where t is the number of seconds to obtain 1 L (1 quart) of water, R is recovery.

4. STEPS AFTER INSTALLATION

2. Measure TDS of supply water and TDS of purified water using a calibrated TDS meter.
3. Check the operation of the inlet solenoid valve. When closing the inlet valve **(4)**, after 1.5 minutes (90 seconds), the low pressure switch is activated, the inlet valve is closed, and the pump stops, the corresponding sound and light indication is activated (paragraph 6.6). When the purified water faucet is turned off, the high pressure switch is activated, the inlet valve is closed and the pump stops.
4. Check the unit for leaks.
5. Make record of commissioning in the maintenance log in paragraph 9 of this book.

5. USAGE

Domestic reverse osmosis system is designed for purification of cold water only.

To enjoy purified water of consistent quality, replacement filters should be replaced on time. Delay in the replacement of cartridges can lead to deterioration or destruction of the membrane. If the rate of filtration drops significantly and is not helped by replacing CF filter, you need to replace reverse osmosis membrane.

If you do not plan to use the system for a long time, it is recommended to shut off the water supply to the system and disconnect it from the power supply.

5.1 PARTS OF THE FILTER AND THEIR RECOMMENDED CHANGE OUT RATES

Replacement filter	Replacement filter lifetime / Pure water treatment capacity
CF Filter cartridge	12 months / 4 000 L
RO Filter cartridge	24 months / 8 000 L
CB Filter cartridge	12 months / 4 000 L

Warning. The replacement cycle of each filter element suggested for this system is an average value obtained according to the tap water conditions in different locations. If the local water quality is below average, the actual filter element life will differ from the recommended filter element life. If the filter element is prematurely clogged or defective, use the actual state of use as a basis for replacing the filter element.

* The service life of the membranes and cartridges and the frequency of their replacement depend on the quality of the incoming water.

5.2 THE PROCEDURE FOR CARTRIDGES REPLACING

Please replace the filter cartridge regularly according to the violet and red lights of the respective replacement filter lifetime indicator (2-4) or faucet indicator **(5)**.

The system has FAST&DRY filter replacement technology. The replacement process does not need to cut off the water source. However, we recommend you close off the inlet water while replacing the cartridges.

5. USAGE

To replace the cartridge you need to make easy steps:

1. Turn the exhaust filter counterclockwise.
2. Pull the exhausted filter towards you.
3. Present a new filter in its respective housing with the handle in a horizontal position.
4. Insert firmly all the way and turn the handle 90 degrees clockwise.
5. Reset the filter cartridge: long press the corresponding filter cartridge reset key for 5 seconds, the buzzer will sound once (1s), the corresponding filter cartridge life indicator will flash purple twice and then turn on blue. The system will start flushing the respective filter for 5-6 minutes (for CF and RO), indicator **(1)** flashes red. After this time expires, you must complete the rinsing of the filters (RO and CB) by opening the purified water valve **(3)**, and indicator 1 and the indicator on the purified water valve will flash in the color corresponding to the current water quality. The rinsing time for the RO filter is 30 minutes, and for the CB filter – 15 minutes. When the rinsing is complete, indicator **(1)** and indicator **(5)** on the purified water valve light up blue.



5.3 FILTER LIFETIME DISPLAY

Period of life	Time of life remaining (days)	Liters of capacity remaining	Lifetime display	Acoustic
Normal	> 15	> 150	Permanent blue	No alarm
There is little left	≤ 15	≤ 150	Permanent violet	One beep when there is little time of life of the filters
Exhausted	≤ 0	≤ 0	Permanent red	Double beeps when filter capacity or lifetime is exhausted

5. USAGE

5.4 WATER QUALITY DISPLAY

Water quality	Tds range, ppm	Water quality display
Excellent	< 100	Permanent blue
Good	≥ 100 and < 150	Permanent violet
Bad	≥ 150	Permanent red

5.5 SYSTEM OPERATION MODES

Function	Action logic	Replacement filter lifetime indicator	System indicator status
Power on	Buzzer beeps 0.1S, indicator display 3S	Blue-Purple-Red indicator light on 1S	Blue-Purple-Red indicator light on 1S
First time use washing	Automatic flushing 5 mins	Blue always lights on	Red flashing
	The user turns on the tap to go on running water for 30 minutes	Blue always lights on	Flashing according to current water quality status
Washing for a replacement filter	1. CF filter cartridge: automatic flushing for 5 minutes. 2. RO filter cartridge: automatic flushing for 5 minutes, open the tap and flush for 30 minutes. 3. CB filter cartridge: open the tap and flush for 15 minutes.	Blue always lights on	1. Water quality indicator light red flashing when flushing. 2. When opening the faucet to flushing, the water quality indicator will be flashing according to the current water quality.
User takes water	Water making action	Always light on (based on filter lifetime display)	Always light on according to the current water quality
Standby	The machine stops making water and goes into standby mode.	Always light on (based on filter lifetime display)	Go out
Fault	The whole machine does not work	See part 6.6	

5. USAGE

5.6 SMART FEATURES

SMART features	Display	Acoustic	Solution
Leak inside the machine.	System indicator (1) , filters lifetime indicators (2-4) and faucet indicator (5) flashing red	Beeps for 3 minutes	When the leak is eliminated, the alarm is deactivated, and it returns to the normal state
Protection by pump time	Filters lifetime indicators (2-4) and faucet indicator (5) flashing red	3 beeps	The pump has been working between 30 and 33 minutes. Disconnect and reconnect the electrical connection
Protection against lack of inlet water pressure	Pressure loss while the system is running: the system runs for 90 seconds, then the pump stops, service life indicators (2-4) flash blue, open purified water valve (5) flashes red	3 beeps	Open the inlet water valve. Check the incoming water supply line for blockages
	No inlet pressure at system start-up: service life indicators (2-4) flash blue, open purified water tap (5) flashes red	3 beeps	Open the inlet water valve. Check the incoming water supply line for blockages
Protection by start / stop	Filters lifetime indicators (2-4) and faucet indicator (5) flashing violet	4 beeps	Disconnect and reconnect the electrical connection
Low temperature protection	System indicator (1) , filters lifetime indicators (2-4) and faucet indicator (5) flashing red	5 beeps	Disconnect and reconnect the electrical connection

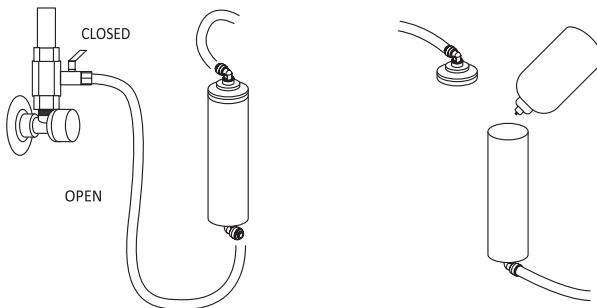
6. SANITIZATION OF REVERSE OSMOSIS FILTER

Necessary material:

- Filter housing 2.5" x 10" and connectors
- 3% hydrogen peroxide (1 l)
- Brush
- Single-use vinyl gloves
- Easy-rinse soap or detergent
- Sanitizing spray
- Paper napkin

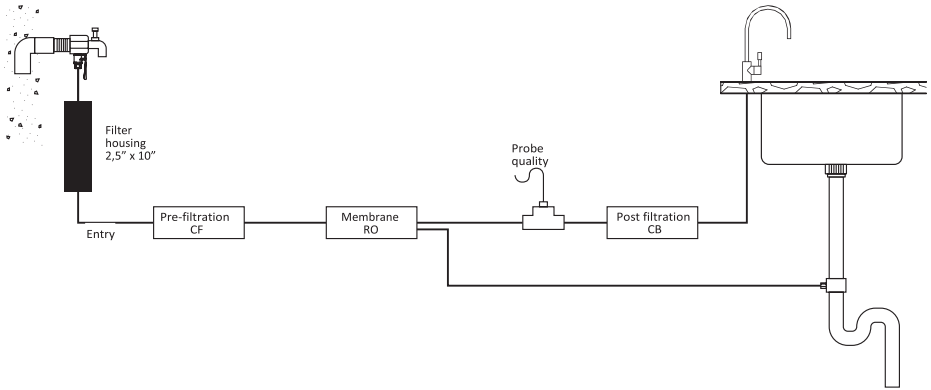
Carry out a sanitization of the equipment after filters replacement and continuous stand-by. The water used during sanitization must be potable water (from a public distribution network complying with the corresponding potability requirements). To do this, follow the steps below:

- Open faucet 3 and let water recirculate in order to renew the water inside the equipment.
- Close the inlet valve **(4)** and open faucet **(3)** to decrease the pressure in the equipment.
- Use single-use vinyl gloves to handle sanitizing products.
- Remove the exhausted replacement filters for disposal and clean the inside of the housing and the connections with a brush (which must be kept clean and disinfected) together with Easy-to-rinse soap or detergent (low-sudsing) and suitable for cleaning surfaces in contact with food. Subsequently rinse the housings and connections correctly ensuring that all traces of detergent are removed.
- Change the filters and wash them as indicated in the corresponding section 6.2. To sanitize the equipment, the filters must be inside their housings.
- Disconnect the inlet tube to the system marked as **"Inlet"**, and insert the Filter housing 2.5" x 10" with connectors between the feed water valve **(4)** and the system's water **"Inlet"**.
- Once the assembly is installed, keep the feed water valve **(4)** closed. The Filter housing 2.5" x 10" must be empty.
- Pour 1 L of Hydrogen Peroxide into the Filter housing. Screw the samp correctly to its head.
- The feed water valve **(4)** and the faucet **(3)** must be closed. Connect the equipment to the electrical supply.
- Open the feed water valve 4 and the faucet **(3)**, allowing the system to start operating and letting the Oxygenated Water suck into it. When first potion of sanitizing liquid (about 300 ml) will run out close the faucet **(3)**. At this time the entire circuit contains sanitizing liquid.
- After 10 minutes open faucet **(3)** and let the water flow for 5 minutes.



6. SANITIZATION OF REVERSE OSMOSIS FILTER

EN



- Pay special attention to sanitizing the faucet spout. Use the sanitizing spray (or, failing that, hydrogen peroxide, dosing it in such a way that it penetrates the faucet spout) and single-use blotting paper. Spray the spray on the faucet nozzle, rub the spout and faucet nozzle with the disposable paper and do not touch it directly with your hands.
- Given that sanitization and rinsing do not ensure the complete removal of carbon dust from new filters or sanitization residues, rinse the osmosis equipment with plenty of water, after each sanitization, circulating mains water of adequate quality for 5 minutes or more. Discard the first 5 liters of water before consuming it.
- Remove sanitizing installation when disinfection is finished
- At the end, take a drying kitchen paper, dry all the parts that may have gotten wet and especially the leak detection probe.

7. TROUBLESHOOTING

Problem	Cause	Solution
Fitting leak	Tube is not joined tightly	Remove and rejoin the tube
Drain saddle leak	Drain saddle is not installed properly	Reinstall drain saddle as described in paragraph 3.3 in this manual
Water runs too slowly from the faucet or slows down substantially a few seconds after the faucet is opened	High noise	Replace CF filter
	The system keeps switching on and off and will not stop	Measure permeate flow rate by opening the faucet. Use a measuring cup to check if the time it takes to produce 1 L drinking water is 40 seconds. If it took twice as long or more to produce 1 liter of water, the membrane may need to be replaced
	High noise	Straighten the tube
High noise	Water supply pressure too high	If necessary, install a pressure regulator or refer to a plumber. Contact the service center
The system keeps switching on and off and will not stop	Surges in feed water pressure just above low pressure switch setting	Eliminate pressure surges. Check supply water piping for clogs and other obstructions and eliminate if present
The system will not switch on	Feed valve or main shutoff valve is closed	Open all valves on supply water pipes. Check for clogs/ obstruction
	Defective low pressure switch	Low pressure switch defective Replace the switch. Check the contact group
	High pressure switch is	Low pressure switch defective Replace the switch. Check the contact group
	Defective high pressure switch	Low pressure switch defective Replace the switch. Check the contact group
The system will not switch off	Pump overrun protection has been triggered	Disconnect and reconnect the electrical connection
	High pressure switch failure	Replace high pressure switch. Verify proper electrical contact
The system has switched off but continues to send water to drain	Solenoid valve failure	Replace the solenoid valve

8. SERVICE RECORD

Manufacturer strongly recommends to keep record of your system’s operation. Information recorded in this log will help specialists carry out maintenance or repair if needed. Also, this information can be requested by the manufacturer in case any malfunctions are encountered.

COMMISSIONING

Commissioning date, DD: MM: YY	
Main pressure	
Sanitization performed, YES / NO	
Recovery, %	
Recommendations	
Further information about installed equipment: name, date of installation (Example: pressure regulator, pump, POE water filter etc.)	
Seller’s identity	
Installer’s identity	

INSTALLATION WORKS WERE COMPLETED. THE PRODUCT WAS TESTED AND IS FULLY FUNCTIONAL. NO CLAIMS AS TO PRODUCT QUALITY AND/OR INSTALLER’S PERFORMANCE WERE ENCOUNTERED

Owner _____
Signature / Name

Installer _____
Signature / Name

8. SERVICE RECORD

MAINTENANCE LOG

Type of job	
Consumables used for the job: product, date of manufacture, serial number (example: cartridges, membrane)	
Sanitization performed, YES / NO	
Recovery, %	
Recommendations	
Date of maintenance, DD:MM: YY	
Servicing company name	
Installer’s name	
Servicing company contact information	
Signature	

9. ENVIRONMENTAL AND HEALTH SAFETY

The product does not have any chemical, radiological, electrochemical impact on the environment. The product is not regarded as hazardous by their impact on the human body, meets requirements of relevant sanitary legislation for its intended scope of use.

10. PURCHASING

Desirably, the product should be purchased from authorized sales establishments. When buying, check integrity of packaging, absence of mechanical damage and other defects, contents of the system (without opening the plastic bags), availability of user documentation, particularly this manual.

11. TRANSPORTATION AND STORAGE

Shipping of the product may take place by any means of transport (except unheated during cold seasons in colder climates) in accordance with the rules of transportation of goods, applicable to each type of transport. Observe handling labels when handling and shipping the product. Product should be stored indoors with protection from mechanical damage, impact of moisture and aggressive chemicals. Store this product in the manufacturer's original packaging at ambient temperatures ranging from 5 °C to 40 °C (from 41 °F to 104 °F) and relative humidity up to 80%, at least 1 m (3.3 ft) away from heating equipment.

12. WARRANTY

We thank you for purchasing a reverse osmosis product by Ecosoft Company.

We hope that this product will serve you long and let you and your family enjoy high quality pure drinking water.

Warranty period is 12 months from the date of purchase from a retail establishment (unless otherwise specified in the product warranty card). The manufacturer guarantees that the water purification system does not contain workmanship defects and no such defects will arise within warranty period from the date of purchase from store provided that the technical requirements and operating conditions specified in this manual are strictly adhered to.

To avoid misunderstanding, we urge you to carefully read the instructions on installation and operation of the reverse osmosis system, warranty conditions liabilities, check correctness of the warranty card, presence of proof of purchase (receipt, invoice, or bill). Warranty card is valid only if model, date of purchase, and stamp of selling establishment are correctly specified. For correct installation of the system, request one of the Ecosoft Authorised Service Centres. The manufacturer is not responsible if the system was installed by an unqualified specialist. The manufacturer is not liable for any damage to property or some other damage, including lost profits, which arose by chance or due to use or inability to use this product. Manufacturer's liability in accordance with this warranty is limited to the cost of the filter.

ЗМІСТ

1. Призначення фільтру	25
2. Характеристики та комплектація	26
2.1 Технічні характеристики	26
2.2 Якість води	27
2.2.1 Вимоги до води, яка подається на фільтр зворотного осмосу	27
2.2.2 Склад води після мембрани зворотного осмосу	27
2.3 Комплектація фільтру зворотного осмосу	28
2.4 Індикатори фільтру зворотного осмосу	29
3. Послідовність дій під час монтажу фільтру зворотного осмосу	29
3.1 Перевірка вхідних параметрів	29
3.2 Схема підключення	30
3.3 Встановлення	30
3.4 Перший запуск фільтру	35
4. Полідовність дій після монтажу	35
5. Експлуатація	36
5.1 Вузли та їх заміна	36
5.2 Процедура заміни картриджів	36
5.3 Відображення ресурсу	37
5.4 Інформування про якість води	38
5.5 Режим роботи фільтру	38
5.6 SMART-функції	39
5.7 Автоматичне промивання	40
6. Можливі несправності та способи їх усунення	40
7. Щоденник технічного обслуговування	41
8. Безпека здоров'я та навколишнього середовища	42
9. Правила купівлі	42
10. Транспортування та зберігання	43
11. Гарантійні зобов'язання	43

ШАНОВНІ ПОКУПЦІ!

Дякуємо Вам за вибір нашої продукції.

Ми хочемо, щоб Ви та Ваші близькі насолоджувалися чистою питною водою. Завдяки фільтру Ecosoft Ви забудете про клопіт з громіздкими бутлями, а чиста джерельна вода для пиття, приготування їжі та напоїв завжди буде доступна. Перед початком експлуатації просимо Вас ознайомитися з інструкцією та перевірити правильність заповнення гарантійного талона.

UA

1. ПРИЗНАЧЕННЯ ФІЛЬТРУ

Зворотний осмос на сьогодні є найбільш довершеною технологією очищення води. Завдяки спеціальній напівпроникній мембрані, подібній за своїми характеристиками до природної мембрани живої клітини, з'явилася можливість ефективно очищувати питну воду фактично від усіх шкідливих домішок, у тому числі вірусів та нітратів (**Рисунок 1**). Пори такої мембрани у 200 разів менше, ніж віруси, та у 4000 разів менше, ніж бактерії. Фільтри зворотного осмосу працюють за принципом обміну речовин у живому організмі на клітинному рівні. Через мембрану клітини можуть проникати лише молекули певного розміру. Поширені побоювання деяких споживачів фільтрів зворотного осмосу щодо того, що така вода позбавлена всіх корисних для організму мікроелементів, не зовсім виправдані, оскільки 96% необхідних людині мінералів надходять з їжею, а не з водою.

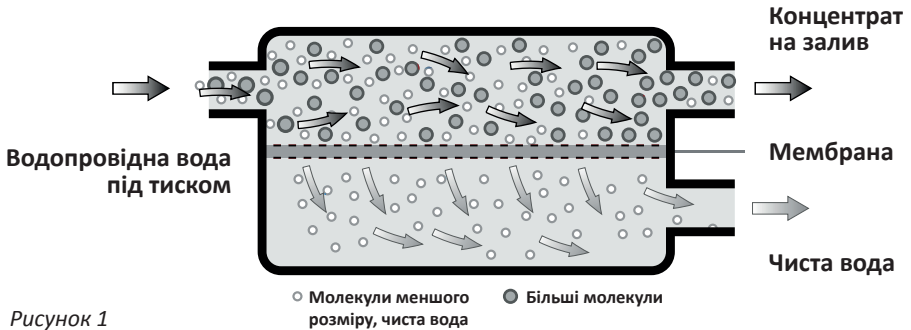


Рисунок 1

Прямоточний фільтр зворотного осмосу CROSS 90 – це чотириступенева фільтраційна установка, яка працює за такою схемою. Фільтр під'єднується до водопроводу холодної води за допомогою вхідної муфти з краном подачі води (**4**). Біла трубка (3/8”) подає воду від крану подачі води через датчик низького тиску і вхідний соленоїдний клапан до картриджа CF. Вхідна вода спочатку проходить через картридж попереднього очищення (**7**). Картридж попереднього очищення є комплексним двоступеневим фільтром, призначений для видалення механічних домішок, таких як іржа, пісок, мул та інших, видалення з води залишкового хлору, органічних та хлорорганічних сполук. Після попереднього очищення вода потрапляє на третій (та найголовніший) етап – зворотноосмотичну мембрану (**7**), яка знаходиться у спеціальному корпусі. Один з двох виходів випусків подає очищену воду (пермеат), а інший відводить воду з домішками у каналізацію (концентрат). Мембрана очищає воду на молекулярному рівні, пропускаючи через свої пори лише молекули води та розчиненого кисню.

1. ПРИЗНАЧЕННЯ ФІЛЬТРУ

Всередині мембрани вода розділяється на два потоки: концентрат, який скидається в дренаж, і пермеат, який надходить на наступний етап – постфільтр **(7)**.

Після відкриття крана очищеної води **(3)** тиск в системі падає і реле високого тиску спрацьовує, відкриваючи вхідний клапан і запускаючи насос, автоматично відновлюється надходження води через картридж попереднього очищення на мембрану. Вода з домішками (концентрат) відводиться в дренаж через випускний клапан для концентрату, з'єднаний червоною трубою з дренажним хомутом 6, який встановлюється на каналізаційній трубі.

При заборі з крана очищена вода після мембрани потрапляє на четвертий ступінь очищення — вугільний постфільтр СВ, призначений для фінального очищення води. Він містить спресоване активоване вугілля. Цей фільтр покращує смак та запах очищеної води.

Цей фільтр є прямоточним, тому резервуар для зберігання води не потрібен. Продуктивність становить **600 GPD (90 л/год)**, для наповнення склянки об'ємом 200 мл знадобиться лише 8 секунд.

2. ХАРАКТЕРИСТИКИ ТА КОМПЛЕКТАЦІЯ

2.1 ТЕХНІЧНІ ХАРАКТЕРИСТИКИ

№	Найменування параметра	Значення
1	Тиск на вході, атм.	2-5*
2	Температура вхідної води, °C	+5...+30**
3	Продуктивність, л/хв	1,5
4	Електроживлення	230 В, 50 Гц
5	Вага системи, кг	11
6	Припустима температура навколишнього середовища, °C	+5...+40
7	Зовнішнє підключення до водопроводу	½" дюймів
8	Габаритні розміри В x Ш x Г, мм	435 x 140 x 458

* Якщо тиск у системи водопостачання нижчий за указане значення, необхідно вибрати систему з помпою або додатково встановити помпу. Якщо тиск у системі водопостачання вищий за вказане значення, необхідно встановити регулятор тиску на вході перед системою зворотного осмосу.

** Якщо температура вхідної води визначається у діапазоні +20...+30 °C, незначним чином знижується селективність мембрани та збільшується продуктивність, що спричиняє незначне збільшення показника TDS. Використання системи у випадках коли температура вхідної води перевищує +30 °C — не рекомендовано.

2. ХАРАКТЕРИСТИКИ ТА КОМПЛЕКТАЦІЯ

2.2 ЯКІСТЬ ВОДИ

2.2.1 ВИМОГИ ДО ВОДИ, ЯКА ПОДАЄТЬСЯ НА СИСТЕМУ ЗВОРОТНОГО ОСМОСУ*

№	Показник	Значення**
1	pH	6.5-8.5
2	Мінералізація	<1500 мг/л
3	Твердість	<10,0 мг-екв/л
4	Вільний хлор	<0.5 мг/л
5	Залізо	<0.3 мг/л

№	Показник	Значення**
6	Марганець	<0.1 мг/л
7	Перманганатна окиснюваність	<5 мг O ₂ /л
8	Загальне мікробне число (ЗМЧ)	<50 КУО/мл
9	Coli-індекс, КУО/100 мл	<3

Не використовуйте з водою, яка є мікробіологічно небезпечною або невідомої якості без адекватної дезінфекції до або після подачі в систему.

* Якщо показники води, що подається на систему, не відповідають указаним вимогам, строк служби мембрани та картриджів може зменшитися.

** При встановленні системи зворотного осмосу на воду зі свердловин або колодязів рекомендовано попередньо провести хімічний аналіз води. Якщо якісь показники перевищують значення, вказані у таблиці, бажано встановити додаткові фільтри перед системою зворотного осмосу. З питань підбору фільтрів варто проконсультуватися зі спеціалістами фірм, які професійно займаються очищенням води.

2.2.2 СКЛАД ВОДИ ПІСЛЯ МЕМБРАНИ ЗВОРОТНОГО ОСМОСУ*

№	Показник	Значення
1	pH	5.5-6.5
2	Мінералізація	5-15 мг/л
3	Кальцій	<2 мг/л
4	Магній	<1 мг/л
5	Натрій + Калій	<5 мг/л

* Показники визначено за наступних умов: температура вхідної води 25°C, склад вхідної води і параметри роботи фільтру відповідають рекомендованим виробником.

2. ХАРАКТЕРИСТИКИ ТА КОМПЛЕКТАЦІЯ

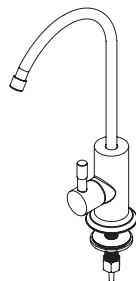
2.3 КОМПЛЕКТАЦІЯ ФІЛЬТРУ ЗВОРОТНОГО ОСМОСУ



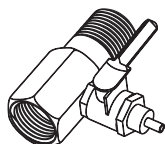
**1) Модуль
фільтрації**



2) Блок живлення



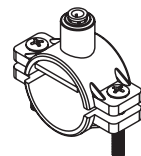
**3) Кран для
очищеної води**



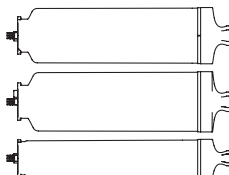
**4) Вхідна муфта
з краном**



**5) Комплект
кольорових трубок**



**6) Дренажний
хомут**



**7) Комплект
картриджів**

CF - CPVDFRO

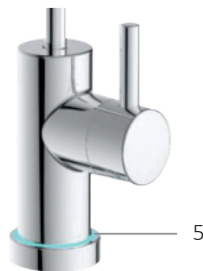
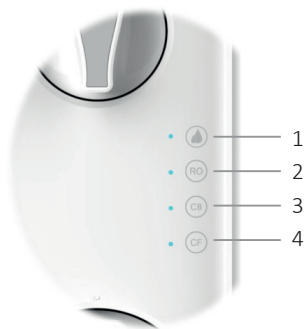
RO - CSVRO600DFRO

CB - CHVCBDFRO

Виробник залишає за собою право внесення змін у конструкцію/комплектацію виробу, у випадку якщо ці зміни не спричиняють погіршення споживчих властивостей виробу.

2. ХАРАКТЕРИСТИКИ ТА КОМПЛЕКТАЦІЯ

2.4 ІНДИКАТОРИ ФІЛЬТРУ ЗВОРОТНОГО ОСМОСУ



- 1 – Індикатор роботи системи – індикація наливу води, індикація якості очищеної води, індикація помилок, індикація промивки
 2 – Індикатор ресурсу змінного фільтра RO
 3 – Індикатор ресурсу змінного фільтра CB
 4 – Індикатор ресурсу змінного фільтра CF
 5 – Індикатор на крані очищеної води- індикація наливу води, індикація помилок, індикація заміни картриджів, індикація промивки

3. ПОСЛІДОВНІСТЬ ДІЙ ПІД ЧАС МОНТАЖУ ФІЛЬТРУ ЗВОРОТНОГО ОСМОСУ

Перед встановленням системи зворотного осмосу необхідно уважно ознайомитися з даною інструкцією.

Ця система має бути встановлена відповідно до місцевих норм та правил.

Для правильного встановлення системи зверніться в один з Авторизованих сервісних центрів Ecosoft. Виробник не несе відповідальності у випадку самостійного встановлення системи та/або встановлення системи некваліфікованим спеціалістом.

3.1 ПЕРЕВІРКА ВХІДНИХ ПАРАМЕТРІВ

1) Перевірте наявність та відповідність усіх комплектуючих. Не можна розкривати прозорий пакет, в який упаковані деталі, до перевірки, оскільки виробник не приймає претензії щодо некомплектності у випадку якщо пакет відкрито.

2) Необхідно перевірити відповідність:

Тиск на вході*	Температура вхідної води*
Перевірте тиск на вході перед системою зворотного осмосу. Тиск перед системою має відповідати вказаному у пункті (2.1) .	Необхідно перевірити температуру вхідної води. Температура вхідної води має відповідати вказаній у пункті (2.1) .
*Якщо параметри вхідної води не відповідають вимогам, необхідно вжити заходів, указаних у пункті 2.1.	

3. ПОСЛІДОВНІСТЬ ДІЙ ПІД ЧАС МОНТАЖУ ФІЛЬТРУ ЗВОРОТНОГО ОСМОСУ

— технічних характеристик (пункт 2.1);

— якості води** що подається на фільтр зворотного осмосу (пункт 2.2)

**** Якщо показники якості води, що подається на систему, не відповідають указаним вимогам, необхідно звернутися до компаній, які займаються водопідготовкою.**

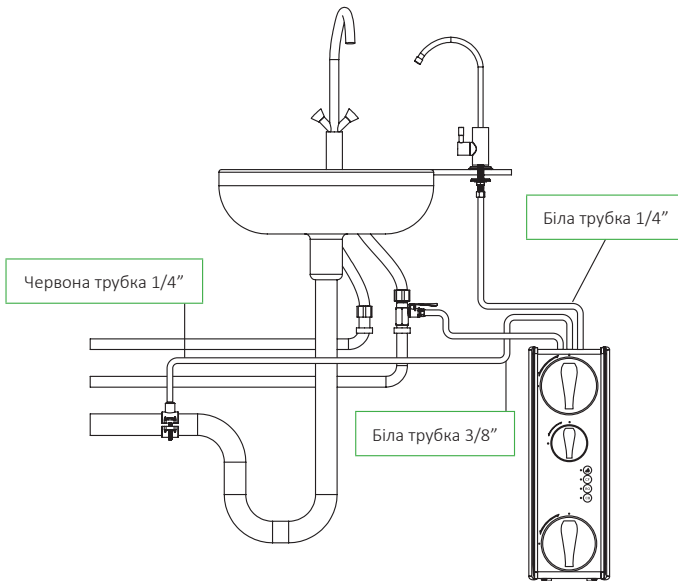
3) Перед встановленням системи необхідно підготувати місце під мийкою.

4) **Повідомлення про електричну безпеку:** цей прилад слід підключати до ланцюга з встановленим диференціальним автоматом. Зверніть увагу на вимоги до напруги Пристрій живиться від однофазного джерела живлення 230 В змінного струму, 50 Гц.

5) Встановіть фільтр відповідно до вказівок цього посібника.

Пристрій постачається зі шнуром живлення, і його можна під'єднати до правильно встановленої розетки, сумісної зі стандартом IEC 60884-1. Електричні характеристики пристрою можна знайти на заводській наклейці виробника. Ця система та встановлення мають відповідати державним і місцевим законам і нормам.

3.2 СХЕМА ПІДКЛЮЧЕННЯ



3.3 ВСТАНОВЛЕННЯ

Перед монтажем водопровідних трубок, картриджів, мембрани необхідно ретельно вимити руки з дезінфікуючим милом.

Встановлювати дану систему бажано у місцях, захищених від прямих сонячних променів, подалі від нагрівальних приладів.

3. ПОСЛІДОВНІСТЬ ДІЙ ПІД ЧАС МОНТАЖУ ФІЛЬТРУ ЗВОРОТНОГО ОСМОСУ

1. Дістаньте фільтр зворотного осмосу з упаковки та перевірте комплектацію. Не розкривайте пакет з комплектуючими. Будьте уважні, виробник не приймає претензій щодо некомплектності, у випадку якщо пакет розпечатаний.

2. Перекрийте вентиль холодної води на вході у квартиру/дім та відкрийте водопровідний кран у місці встановлення фільтра (на мийці), щоби скинути тиск у системі, після чого закрийте кран.

3. Вкрутіть вхідну муфту з краном **(4)** у магістраль холодної води.

Розмір підключень розрахований на найбільш розповсюджений розмір трубопроводу — 1/2". Якщо трубопровід вашого приміщення має інші розміри, підготуйте відповідні перехідники.

Рис. А1

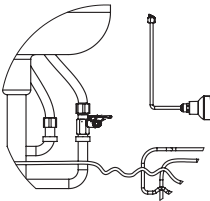


Рис. А2

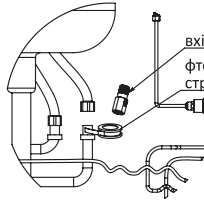
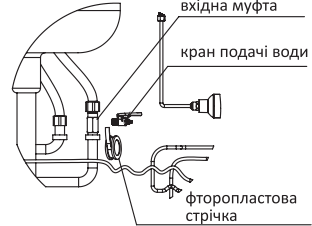
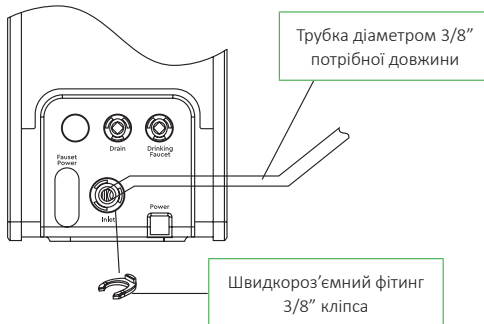


Рис. А3



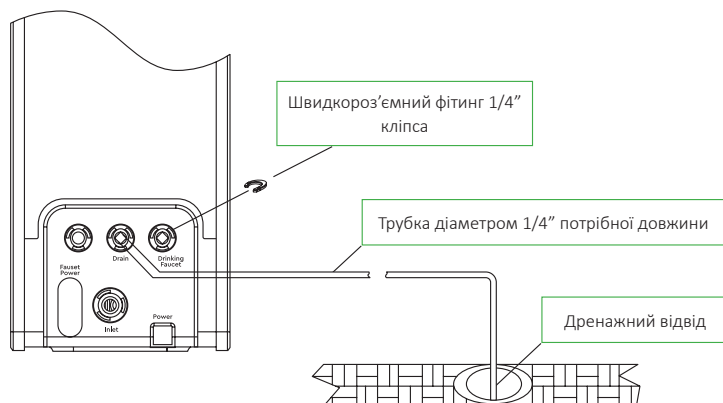
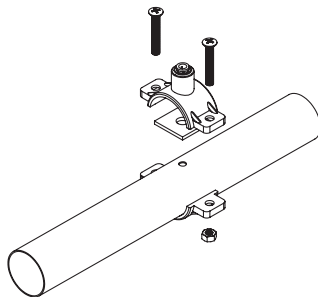
4. Відкрутіть накидну гайку зі штуцера крана подачі води **(4)** і надіньте її на білу трубку 3/8". Щільно натягніть білу трубку на штуцер крана подачі води та закрутіть гайку. З'єднайте вільний кінець білої трубки 3/8" із швидкоз'ємним фітінгом "Input" на панелі підключення. Вставте фіксуючу кліпсу.



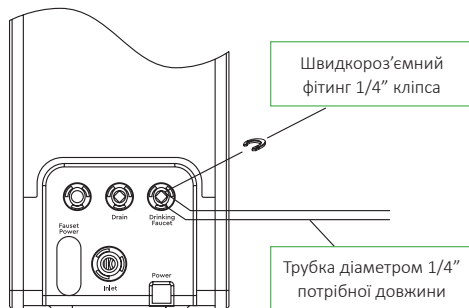
3. ПОСЛІДОВНІСТЬ ДІЙ ПІД ЧАС МОНТАЖУ ФІЛЬТРУ ЗВОРОТНОГО ОСМОСУ

5. З'єднайте дренажний хомут **(6)** з дренажним сифоном вашої мийки. Дренажний хомут підходить до більшості стандартних каналізаційних труб. Просвердліть на дренажній трубці вашої мийки отвір діаметром 5,0 мм, на який покладіть ущільнювач з клейкою основою (входить до комплекту).

Встановіть дренажний хомут **(6)** так, щоби отвір на дренажній трубці збігався з отвором (фітингом) на дренажі. За допомогою викрутки затягніть гвинти дренажного хомути. Візьміть трубку червоного кольору, вставте її у фітинг дренажного хомути. Інший кінець червоної трубки з'єднайте з підключенням концентрату "Waste" на панелі підключення. Вставте фіксуючу кліпсу.



6. Під'єднайте один кінець білої трубки 1/4" до виходу "Filtered" на панелі підключення. Вставте фіксуючу кліпсу.



3. ПОСЛІДОВНІСТЬ ДІЙ ПІД ЧАС МОНТАЖУ ФІЛЬТРУ ЗВОРОТНОГО ОСМОСУ

7. Підключення крана для очищеної води.

7.1. Для встановлення крана для очищеної води з просвердліть отвір діаметром 15,5 мм у зручному для вас місці на мийці або кухонній стільниці.

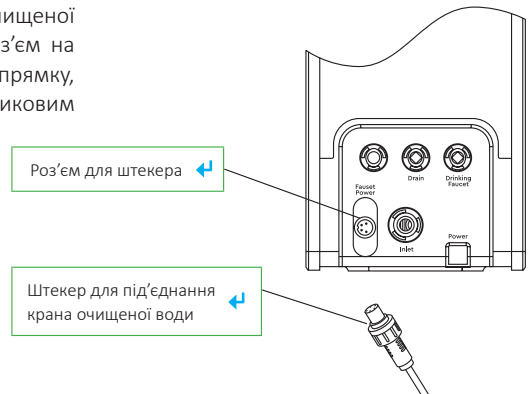
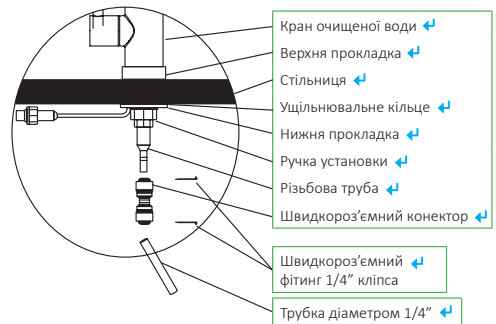
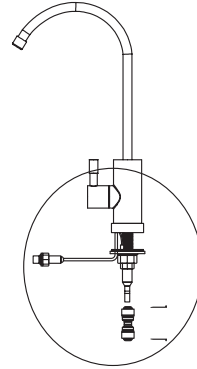
УВАГА!!! Металева стружка може пошкодити вашу мийку, тому необхідно прибрати її одразу ж після того як ви просвердлисте отвір. Якщо поверхня для встановлення керамічна або кам'яна, вам може знадобитися спеціальне твердосплавне свердло.

Зберіть кран на стільниці або мийці. При цьому гайка, стопорна шайба та велике пластикове кільце повинні притискати кран до стільниці.

7.2 Вставте прямий швидкоз'ємний конектор якомога глибше в нижню частину різьбової труби крана для очищеної води та вставте фіксуючу кліпсу.

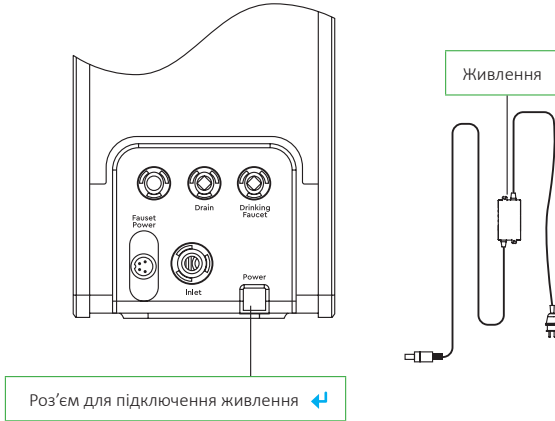
7.3 Після встановлення змішувача вставте інший кінець білої трубки 1/4" чистої води, підключеної до фільтра, у швидкоз'ємне з'єднання змішувача та вставте фіксуючу кліпсу.

7.4 Візьміть штекер крана для очищеної води і вставте його в спеціальний роз'єм на панелі підключення в необхідному напрямку, та зафіксуйте його закрутивши пластиковим кільцем.



3. ПОСЛІДОВНІСТЬ ДІЙ ПІД ЧАС МОНТАЖУ ФІЛЬТРУ ЗВОРОТНОГО ОСМОСУ

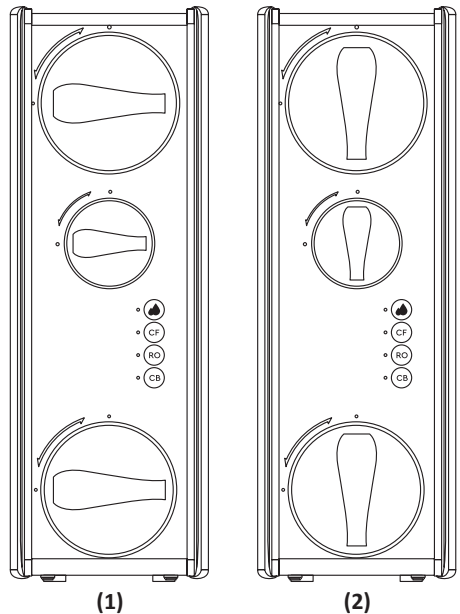
8. Підключіть адаптер живлення до виходу живлення на панелі підключення.



Перед встановленням фільтрів в корпус обов'язково потрібно зняти пластмасові заглушки з входу та виходу фільтрів.

Щоб установити фільтри, вставте кожен фільтр у відповідний корпус, ручка при цьому в горизонтальному положенні **(1)**:

1. Картридж фільтра CF встановлюється на першому ступені CF в корпусі системи;
 2. Картридж фільтра RO встановлюється на другому ступені RO в корпусі системи;
 3. Картридж фільтра CB встановлюється на третьому ступені CB в корпусі системи.
- Щільно вставте картридж до кінця та поверніть ручку на 90 градусів за годинниковою стрілкою. Після встановлення фільтри мають розміщуватись так, як показано в положенні **(2)**.



3. ПОСЛІДОВНІСТЬ ДІЙ ПІД ЧАС МОНТАЖУ ФІЛЬТРУ ЗВОРОТНОГО ОСМОСУ

3.4. ПЕРШИЙ ЗАПУСК СИСТЕМИ

1. Відкрийте кран вхідної води **(4)**.
2. Підключіть фільтр до джерела живлення. Коли апарат увімкнено, звуковий сигнал лунатиме протягом 0,1 секунди, а чотири індикатори та індикатор на крані очищеної води світитимуться по черзі (синім-фіолетовим-червоним) протягом 1 секунди;
3. Фільтр автоматично промиватиметься протягом 5 хвилин. Під час промивання постійно світяться індикатори ресурсу фільтрів **(2-4)** синім кольором, індикатор системи **(1)** блимає червоним. Основна частина води зливається в дренаж.
4. Промийте фільтри протягом 30 хвилин після промивання системи. Під час промивання індикатори ресурсу фільтрів **(2-4)** завжди світяться, а індикатор фільтру **(1)** блимає синім (також індикатор **(1)** є індикатором якості води, він може блимати відповідно до поточної якості води), індикатор на крані очищеної води **(5)** також блимає синім.
5. Під час промивання обов'язково ретельно перевірте щільність прилягання всіх частин виробу, протріть паперовою серветкою місця з'єднання, щоб перевірити, чи не волога паперова серветка. Перевірте, чи правильно та повністю встановлені трубки.
6. Коли промивання завершено, закрийте кран очищеної води очищеної води та переконайтеся, що кран не тече, на цьому налагодження фільтру завершено.
7. Після промивання фільтр переходить у нормальний стан очищення води, а індикатор фільтру **(1)** та індикатор на крані очищеної води **(5)** завжди сині при подачі води. У цей час, якщо у вас немає потреби у воді, закрийте кран.

4. ПОСЛІДОВНІСТЬ ДІЙ ПІСЛЯ МОНТАЖУ

ПЕРЕВІРКА РОБОТИ ФІЛЬТРУ НА ВІДПОВІДНІСТЬ ТЕХНІЧНИМ ХАРАКТЕРИСТИКАМ

1. Визначення конверсії. Для цього потрібно: мірна ємність об'ємом не менше 1 л, секундомір. Відкрийте кран для очищеної води 3. За допомогою мірної ємності перевірте час наповнення ємності пермеатом t_{пермеат}. Далі, закрийте кран для очищеної води **(3)**. Від'єднайте червону дренажну трубку від фітинга дренажного хомута. Відкрийте кран для очищеної води **(3)** і скористайтеся мірною ємністю для вимірювання часу наповнення того ж об'єму концентрату t_{концентрат}. Після цього закрийте крани **(3)**. Використовуйте наступну формулу для розрахунку конверсії:

$$R = \frac{t_{\text{концентрат}}}{t_{\text{пермеат}} + t_{\text{концентрат}}} \times 100 \%$$

де R - конверсія, %; t_{концентрат} - час наповнення ємності концентратом, с; t_{пермеат} - час наповнення ємності пермеатом, с.

Залежно від якості вхідної води, температури води, тиску перед мембраною конверсія може бути різною. Нормальна величина конверсії повинна бути в діапазоні 50-60%.

4. ПОСЛІДОВНІСТЬ ДІЙ ПІСЛЯ МОНТАЖУ

2. Визначення значення загального солемісту (TDS) вхідної та очищеної води за допомогою каліброваного TDS-метра.
3. Перевірка спрацювання вхідного електромагнітного клапана. При закритті крану вхідної води **(4)**, після 1,5 хв (90 с) спрацьовує реле низького тиску, перекривається вхідний клапан, та зупиняється насос, спрацьовує відповідна звукова та світлова індикація **(пункт 6.6)**. При перекриванні крану для очищеної води спрацьовує реле високого тиску перекривається вхідний клапан та зупиняється насос.
4. Перевірка фільтру на наявність протікання.
5. Внесення запису про введення в експлуатацію у щоденник технічного обслуговування у пункті **(8)** цього паспорту.

5. ЕКСПЛУАТАЦІЯ

Побутовий фільтр зворотного осмосу призначений для доочищення тільки холодної води.

Щоб насолоджуватися очищеною водою незмінної якості, змінні фільтри слід міняти вчасно. Зволікання із заміною картриджів може призвести до погіршення або руйнування мембрани. Якщо швидкість фільтрації значно падає, а заміна фільтра CF не допомагає, потрібно замінити мембрану зворотного осмосу.

Якщо ви не плануєте користуватися фільтром протягом тривалого часу, рекомендується перекрити подачу води на систему та відключити від електроенергії.

5.1 ВУЗЛИ ТА ЇХ ЗАМІНА

Змінний фільтр	Термін служби фільтра для заміни / Ресурс по очищеній воді*
Картридж фільтру CF	12 місяців / 4 000 л
Картридж фільтру RO	24 місяці / 8 000 л
Картридж фільтру CB	12 місяців / 4 000 л

5.2 ПРОЦЕДУРА ЗАМІНИ КАРТРИДЖІВ

Будь ласка, регулярно замінюйте картриджі фільтру відповідно до фіолетового та червоного індикатора терміну служби змінного фільтра **(2-4)** або індикатора крану очищеної води **(5)**.

Система має технологію заміни фільтрів FAST&DRY. Процес заміни не потребує відключення вхідної води. Проте ми все ж рекомендуємо під час процесу заміни картриджів перекривати вхідну воду.

Щоб замінити картридж, необхідно виконати прості дії:

1. Поверніть відпрацьований фільтр проти годинникової стрілки.
2. Потягніть відпрацьований фільтр на себе.

5. ЕКСПЛУАТАЦІЯ

3. Поставте новий фільтр у відповідне посадкове місце, ручкою в горизонтальному положенні.
4. Вставте до упору та поверніть ручку на 90 градусів за годинниковою стрілкою.
5. Скиньте ресурс фільтра: натисніть і утримуйте кнопку скидання відповідного картриджа протягом 5 секунд, звуковий сигнал пролунає один раз (1 с), індикатор терміну служби відповідного картриджа двічі блимне фіолетовим, а потім стане синім. Система запустить промивання відповідного фільтра протягом 5-6 хв (для CF та RO), індикатор **(1)** блимає червоним кольором. Після спливу даного часу необхідно завершити промивання фільтрів (RO та CB) відкривши кран очищеної води **(3)**, при цьому індикатор **(1)** та індикатор на крані для очищеної води блимають кольором відповідним до поточної якості води. Час промивання фільтру RO – 30 хв, а для CB – 15 хв. Після закінчення промивання індикатор **(1)** та індикатор **(5)** на крані очищеної води світяться синім кольором.



5.3 ВІДОБРАЖЕННЯ РЕСУРСУ

Стан ресурсу	Залишковий час до закінчення ресурсу (дні)	Залишок літрів	Індикатор ресурсу	Звукова індикація
Достатній	> 15	> 150	Постійно блакитний	Немає сигналізації
Практично вичерпаний	≤ 15	≤ 150	Постійно фіолетовий	Один звуковий сигнал, коли залишається небагато ресурсу
Вичерпаний	≤ 0	≤ 0	Постійно червоний	Подвійні звукові сигнали, коли ресурс або термін служби фільтра вичерпано

5. ЕКСПЛУАТАЦІЯ

5.4 ІНФОРМУВАННЯ ПРО ЯКІСТЬ ВОДИ

Якість води	Діапазон tds, мг/л	Стан індикатору якості води
Чудова	< 100	Постійно блакитний
Хороша	≥ 100 і < 150	Постійно фіолетовий
Погана	≥ 150	Постійно червоний

5.5 РЕЖИМ РОБОТИ ФІЛЬТРУ

Функція	Що відбувається	Стан індикатора ресурсу замінного фільтру	Стан індикатора фільтру
Увімкнення	Звуковий сигнал 1 с, індикатор активується на 3 с	Блакитно-фіолетово-червоний індикатор на 1с	Синьо-фіолетово-червоний індикатор на 1с
Промивання фільтру при першому запуску	Автоматичне промивання 5 хв	Постійно блакитний	Блимає червоним
	Користувач відкриває кран, щоб вода протікала протягом 30 хвилин	Постійно блакитний	Блимає кольором, відповідним до поточної якості води
Промивання змінних фільтрів	1. Картридж фільтра CF: автоматичне промивання 5 хв. 2. Картридж фільтра RO: автоматичне промивання 5 хв; відкрийте кран і промивайте протягом 30 хвилин. 3. Картридж фільтра СВ: відкрийте кран і промивайте протягом 15 хвилин.	Постійно блакитний	1. Індикатор якості води блимає червоним під час автоматичного промивання. 2. Коли кран відкривається для зливання, індикатор якості води блимає відповідно до поточної якості води.
Користувач набирає воду	Вода очищується	Завжди горить (на основі стану ресурсу фільтру)	Світиться завжди відповідно до поточної якості води
Очікування	Система припиняє очищення води та переходить у режим очікування	Завжди горить (на основі стану ресурсу фільтру)	Тухне
Помилка	Вся система не працює	Дивись розділ 6.6	

5. ЕКСПЛУАТАЦІЯ

5.6 SMART-ФУНКЦІЇ

UA

SMART-функції	Як відображається	Звукова індикація	Рішення
Виявлення протікання всередині фільтру	Індикатор фільтру (1) , індикатори терміну служби фільтрів (2-4) та індикатор відкритого крану очищеної води (5) блимає червоним	Звуковий сигнал 3 хвилини	Після усунення протікання сигналізація відключається, і вона повертається в нормальний стан
Захист від понаднормової роботи насосу	Індикатори терміну служби фільтрів (2-4) та індикатор крану очищеної води (5) блимають червоним	Звуковий сигнал 3 хвилини	Насос працював від 30 до 33 хвилин. Від'єднайте та знову підключіть електричне з'єднання
Захист від відсутності тиску вхідної води	Зник тиск при працюючому фільтрі: фільтр 90 с працює, потім зупиняється насос, індикатори терміну служби (2-4) блимають синім колір відкритого крану очищеної води (5) блимає червоним	3 звукові сигнали	Відкрийте кран вхідної води. Перевірте лінію подачі вхідної води на засмічення
	Відсутній вхідний тиск при запуску фільтру: індикатори терміну служби (2-4) блимають синім колір відкритого крану очищеної води (5) блимає червоним	3 звукові сигнали	Відкрийте кран вхідної води. Перевірте лінію подачі вхідної води на засмічення
Захист від роботи в режимі старт/стоп (напів-відкритий кран очищеної води)	Індикатори терміну служби фільтрів (2-4) блимають фіолетовим, а індикатор крану очищеної води (5) – червоним	5 звукових сигналів	Від'єднайте та знову підключіть електричне живлення
Захист від низьких температур	Індикатор фільтру (1) , індикатори терміну служби фільтрів (2-4) та індикатор крану очищеної води (5) блимають червоним	5 звукових сигналів	Від'єднайте та знову підключіть електричне живлення

5. ЕКСПЛУАТАЦІЯ

5.7 АВТОМАТИЧНЕ ПРОМИВАННЯ

- Фільтр вмикає промивання мембранного елементу при кожному підключенні до мережі
- Фільтр вмикає промивання мембранного елементу через 5 хвилин після кожного відбору води
- Фільтр вмикає промивання мембранного елементу кожні 12 годин простою

6. МОЖЛИВІ НЕСПРАВНОСТІ ТА СПОСОБИ ЇХ УСУНЕННЯ

Несправність	Причина	Як усунути
Протікання води з-під фітингів	Не герметично під'єднані трубки	Від'єднайте та заново підключіть трубки
Протікання з-під дренажного хомута	Дренажний хомут встановлений неправильно	Правильно встановіть дренажний хомут
Вода з крану очищеної води тече дуже слабко	Дренажний хомут встановлений неправильно	Правильно встановіть дренажний хомут
	CF фільтр забруднений	Замініть фільтр CF
	Забруднена мембрана	Виміряйте швидкість потоку пермеату, відкривши кран очищеної води. Використовуйте мірну чашку, щоб перевірити, чи час, необхідний для виробництва 1 л питної води, становить 40 секунд.
Підвищений рівень шуму	Тиск на вході в фільтр вищий за необхідний	Встановіть регулятор тиску. Зверніться в сервісний центр
Фільтр безперервно вмикається і вимикається	Коливання тиску води на вході в фільтр в діапазоні спрацювання реле низького тиску. Засмічений або відсутній зворотний клапан	Усуньте коливання. Перевірте лінію подачі вхідної води на засмічення. Прочистіть трубки або замініть зворотний клапан
Фільтр не вмикається	Закритий кран вхідної води	Відкрийте кран вхідної води. Перевірте лінію подачі вхідної води на засмічення
	Несправне реле низького тиску	Замініть реле. Перевірте контактну групу
	Несправне реле високого тиску	Замініть реле. Перевірте контактну групу
Фільтр не вимикається	Спрацював захист від понаднормової роботи насосу	Від'єднайте та знову підключіть електричне з'єднання
	Вийшло з ладу реле високого тиску	Замініть реле. Перевірте контактну групу
Фільтр вимкнувся, але вода продовжує текти в дренаж	Зламаний або засмічений електромагнітний клапан	Прочистіть чи замініть електромагнітний клапан

7. ЩОДЕННИК ТЕХНІЧНОГО ОБСЛУГОВУВАННЯ

Виробник наполегливо рекомендує уважно вести записи в щоденнику технічного обслуговування. Інформація, зафіксована в щоденнику, допоможе фахівцям при роботі з вашим фільтром зворотного осмосу. Також дана інформація може бути затребувана виробником в разі яких-небудь відхилень в роботі фільтру.

UA

ВВЕДЕННЯ В ЕКСПЛУАТАЦІЮ

Дата введення в експлуатацію, ДД:ММ:РР	
Тиск на вході	
Виконано знезараження, ТАК/НІ	
Конверсія, %	
Рекомендації	
Відомості про додатково встановлене обладнання: найменування, дата монтажу (приклад: редуктор, помпа, фільтри попереднього очищення та ін.)	
Контактна інформація продавця	
Контактна інформація монтажної організації	

РОБОТИ З ПІДКЛЮЧЕННЯ ВИКОНАНІ, ВИРІБ ПЕРЕВІРЕНИЙ, ПРЕТЕНЗІЙ ЩОДО ЯКОСТІ РОБОТИ ТА КОМПЛЕКТАЦІЇ НЕМАЄ. ВИКОНАННЯ РОБІТ ПІДТВЕРДЖУЮ

Власник обладнання

Підпис/ПІБ

Представник сервісного центру

Підпис/ПІБ

7. ЩОДЕННИК ТЕХНІЧНОГО ОБСЛУГОВУВАННЯ

ТЕХНІЧНЕ ОБСЛУГОВУВАННЯ

Найменування робіт	
Витратні матеріали, які були використані при технічному обслуговуванні	
Виконано знезараження, ТАК/НІ	
Конверсія, %	
Рекомендації	
Дата введення обслуговування, ДД:ММ:РР	
Назва компанії, яка виконувала технічне обслуговування	
ПІБ спеціаліста	
Контактні дані сервісної компанії	
Підпис	

8. БЕЗПЕКА ЗДОРОВ'Я ТА НАВКОЛИШНЬОГО СЕРЕДОВИЩА

Виріб не чинить хімічного, радіоактивного, електрохімічного впливу на навколишнє середовище. Не належить до шкідливих за ступенем дії на організм людини, відповідає санітарному законодавству України при використанні за призначенням.

9. ПРАВИЛА КУПІВЛІ

Купівлю бажано здійснювати у авторизованих центрах продажів. При купівлі необхідно перевірити цілісність упаковки, наявність механічних пошкоджень та інших відхилень, комплектацію (не розкриваючи пакет), наявність супроводжувальної документації, зокрема інструкції та гарантійного талона.

10. ТРАНСПОРТУВАННЯ ТА ЗБЕРІГАННЯ

Транспортування виробу допускається будь-яким транспортним засобом (крім неопалюваних у холодну пору року) відповідно до правил перевезення вантажів, які діють на кожному виді транспорту. Під час вантажно-розвантажувальних робіт та транспортування необхідно дотримуватися вимог маніпуляційних знаків на упаковці. Вироби мають зберігатися у закритих приміщеннях, де виключена можливість механічних пошкоджень, впливу вологи та хімічно активних речовин. Вироби мають зберігатися в упаковці виробника при температурі навколишнього середовища від +5 до +40°C та відносній вологості 80%, на відстані не менше ніж 1 м від опалювальних приладів.

11. ГАРАНТІЙНІ ЗОБОВ'ЯЗАННЯ

Ми вдячні вам за те, що ви придбали систему зворотного осмосу виробництва компанії Ecosoft.

Ми сподіваємось, що дана система служитиме вам довго та даруватиме вам і вашій родині задоволення від чистої питної води. Гарантійний строк експлуатації складає 12 місяців від дня продажу через роздрібну мережу (якщо інше не вказано в гарантійному талоні виробу).

Виробник гарантує, що даний фільтр очищення води не містить виробничих дефектів та що такі дефекти не виявляться протягом гарантійного строку, вказаного в гарантійному талоні, з моменту реалізації зі складу виробника, у випадку якщо фільтр очищення встановлений та працює відповідно до технічних вимог та умов експлуатації. Щоб уникнути непорозумінь, переконливо просимо вас уважно вивчити інструкцію з підключення та експлуатації фільтру зворотного осмосу, умови гарантійних зобов'язань, перевірити правильність заповнення гарантійного талону, наявність документа, що підтверджує придбання (касовий, товарний чек, накладна, акт введення в експлуатацію). Гарантійний талон дійсний тільки за наявності правильно вказаних: моделі, дати продажу, чітких печаток фірми-продавця. Для правильного встановлення системи зверніться в один з Авторизованих сервісних центрів Ecosoft. Виробник не несе відповідальності у випадку самостійного встановлення системи та/або встановлення системи некваліфікованим спеціалістом. Виробник не несе відповідальності за будь-яке пошкодження або будь-яку іншу шкоду, у тому числі втрачену вигоду, яка виникла випадково або внаслідок експлуатації або неможливості експлуатації цього виробу. Матеріальна відповідальність Виробника відповідно до цієї Гарантії не може перевищувати вартості цього фільтра.

